

ALL-NEW  
**HARRIER**

[toyota.com.my](http://toyota.com.my)

— FEEL THE PRESENCE —



**TOYOTA**  
ALL ABOUT THE DRIVE



# AN UNMISTAKABLE PRESENCE

The All-new Harrier marries sheer confidence with elegance in a harmonious bond, captivating onlookers in every way.



## Bi-LED HEADLAMP

Look sharp and leave a lasting impression with the striking Daytime Running Lights coupled with the smart Adaptive High-beam System.

## AUTO RETRACTABLE WING MIRROR WITH LED SIGNAL LAMP & WELCOME LIGHT

Be greeted with style every time you enter and exit.





**REAR LED COMBINATION LAMPS**

A distinctive look with rear combination lamps, all integrated into the bumper.



**18" ALLOY RIMS**

Black coating and silver spokes create a sporty, elegant look.

**DUAL OVAL MUFFLER**

Every drive becomes a joy ride with reduced exhaust resistance and noise.



**KICK-SENSOR POWER BACK DOOR**

Kick it up a notch and load up your All-new Harrier, hands-free.



# A LUXURIOUS FEEL

One step inside its luscious cabin will tell you all you need to know about the All-new Harrier — that beauty is not just skin deep.



## FEEL THE DETAILS

No aspect of the drive is left unconsidered. Wherever your journey leads, the All-new Harrier makes every mile enjoyable.



### SMART ENTRY & START SYSTEM

Strategically located and accessible from passenger's seat during emergencies.

### DIGITAL REAR VIEW MIRROR

Easily switches to digital mode for greater clarity and field of vision, even at night.



### DUAL ZONE AUTOMATIC CLIMATE CONTROL

Both driver and passenger can enjoy the perfect temperature. No compromises needed. Comes with nanoe™ X Technology & S-FLOW Control for your comfort and fuel efficiency.



## HIGH GRADE OPTITRON METER

Gorgeously paired with the elegant Head-up Display and Colour Multi-information Display.



## STEER WITH CONFIDENCE

Be in control of the All-new Harrier without sacrificing comfort, simply by adjusting the distance of the steering wheel to your preference which you can save as a preset.



## LEATHER SEATS

Have a seat—the All-new Harrier's dark, dignified interior adds prestige and class to every ride.



## FRONT & REAR USB PORTS

Multiple USB ports for convenient charging of several devices simultaneously.





### **FIXED PANORAMIC MOON ROOF**

At the push of a button, experience the world the way you want to, completely opened or pleasantly dimmed.

### **WIRELESS CHARGER**

Keep your phone battery juiced up with the wireless charger that works for Qi\* standard-compliant devices.

\*International standard for wireless charging developed by Wireless Power Consortium



### **LUGGAGE SPACE**

Leave nothing behind when you go on the road—they can all fit in the All-new Harrier's extra large storage.



# PRESENCE OF POWER & CONTROL

The All-new Harrier responds faster and better to your every command. At last, the drive is one with the driver.



## POWERFULLY SILENT

Sound-insulation materials are strategically positioned around the All-new Harrier, resulting in a calm and quiet cabin.



**2.0** LITRE | **173** PS | **203** Nm  
Maximum power | Maximum torque

**15.3\*** km/l | **40** %  
Fuel efficiency | Thermal efficiency

\*Number based on internal tests

## 2.0L DYNAMIC FORCE ENGINE

Conquer the city with improved acceleration along with greater fuel efficiency.



## DRIVE MODE SWITCH

Intelligently placed to easily switch between ECO, Sport and Normal mode.

## DIRECT SHIFT CONTINUOUSLY VARIABLE TRANSMISSION (CVT)

Sequential Shiftmatic and additional start-off gear results in seamless shifting and smoother drives.

# TNGA

Toyota  
New  
Global  
Architecture



## TNGA Platform with Double Wishbone Rear Suspension

The optimal weight balance, double wishbone rear suspension and stronger vehicle body provide the stability, agility and security you need for better driving performance.

## SAFETY

New TNGA bonding methods for more secured body. And with advanced materials to spread out impact force, you can drive easy knowing the Toyota design has been tested for maximum safety.

## STABILITY

We lowered the front of the car for better viewing. The new TNGA design also features a lower body and better weight distribution. More speed. More control.

## AGILITY

TNGA is also designed for enjoyment as the suspension has been tuned for improved and steady performance. Lighter parts also allow for more power with less fuel use. Get the best drive out of your TNGA designed vehicle.





Toyota  
Safety  
Sense

## TOYOTA SAFETY SENSE

Cruise safely on the road with the All-new Harrier's cutting edge safety features—because the most precious thing in every Toyota is the people inside.



### PRE-CRASH SYSTEM (PCS)\*

Avoids or mitigates frontal collisions by automatically applying brakes while alerting the driver during a risk of collision.



### LANE DEPARTURE ALERT (LDA) WITH STEERING ASSIST\*

Alerts driver when vehicle is out of lane. Steering assist also provides additional steering pressure to correct any lane deviation.



### LANE TRACING ASSIST (LTA)\*

Keeps the vehicle centered either by detecting the lane or preceding vehicle.



### DYNAMIC RADAR CRUISE CONTROL (DRCC) FOR ALL SPEEDS\*

Maintains a safe distance from the preceding vehicle, braking automatically when the vehicle ahead stops.



### ADAPTIVE HIGH-BEAM SYSTEM (AHS)\*

Uses multiple independently controlled LEDs arranged in a single row, giving a wider range of illumination than earlier systems without dazzling the drivers of preceding and oncoming vehicles.



# 360-T ADVANCED

It's all about Trust & Technology by Toyota

## SAFE-T Trust for smoother journeys ahead



### TYRE PRESSURE MONITORING SYSTEM (TPMS)

Displays real-time tyre pressure information via multi-information display (MID). Alerts driver when tyre pressure is below ideal level.



### BLIND SPOT MONITOR (BSM) WITH REAR CROSS TRAFFIC AUTO BRAKE (RCTAB)

The Blind Spot Monitor alerts you of vehicles in your blind spot area, so you can switch lanes safely and confidently.



### ELECTRIC PARKING BRAKE (EPB) + AUTO BRAKE HOLD

Keeps the vehicle stationary on flat roads with a simple button. Automatically releases during acceleration.



### 7 AIRBAGS

Experience safer journeys in the All-new Harrier, equipped with 7 SRS airbags that protect you and your passengers.



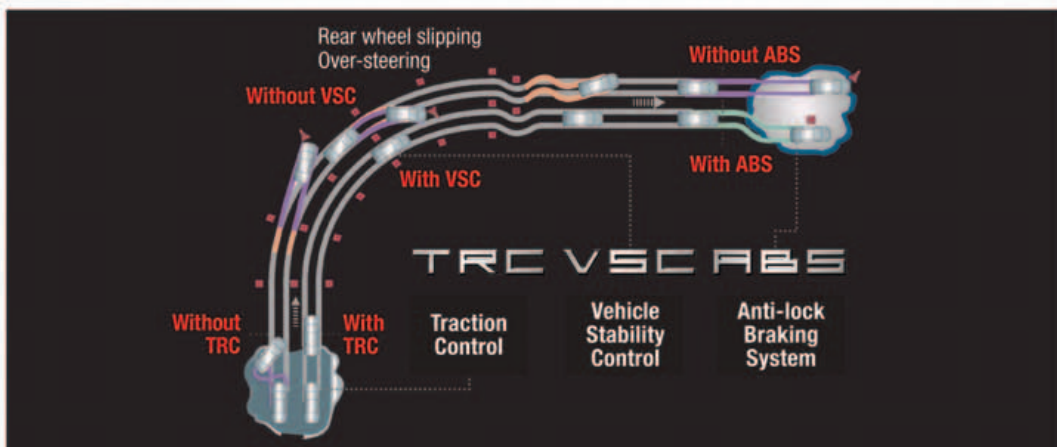
### FRONT & REAR DIGITAL VIDEO RECORDER (DVR)

Record your journeys from the front and back for your protection, in case of emergencies or accidents.



### HILL-START ASSIST CONTROL (HAC)

The Hill-Start Assist Control keeps the All-new Harrier from rolling backwards on a steep slope.



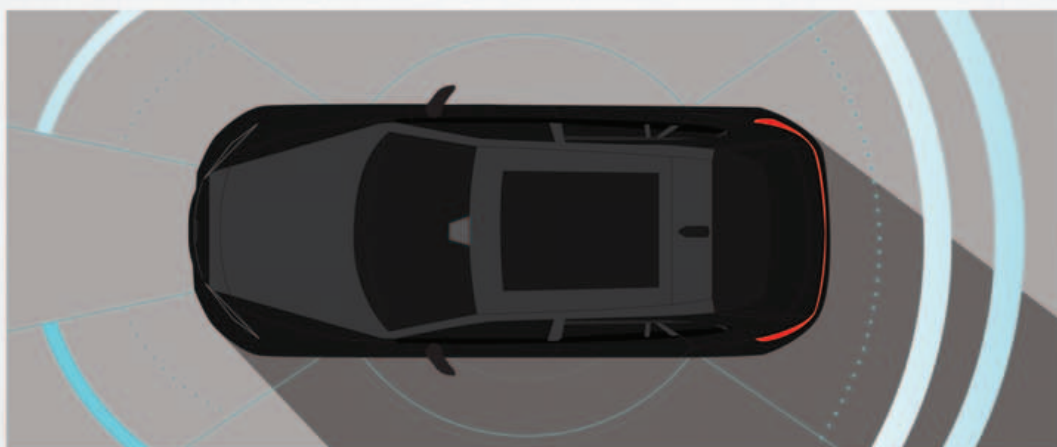
### VEHICLE STABILITY CONTROL (VSC) & TRACTION CONTROL (TRC)

Always be in control of the All-new Harrier even on slippery surfaces, thanks to Traction Control that improves traction, as well as Vehicle Stability Control that applies braking to individual wheels.



### EMERGENCY STOP SIGNAL (ESS) WITH BRAKE ASSIST (BA)

Sudden braking will cause the emergency signals of the All-new Harrier to flash, to warn vehicles behind it, while Brake Assist ensures that maximum braking force is applied when an emergency is detected.



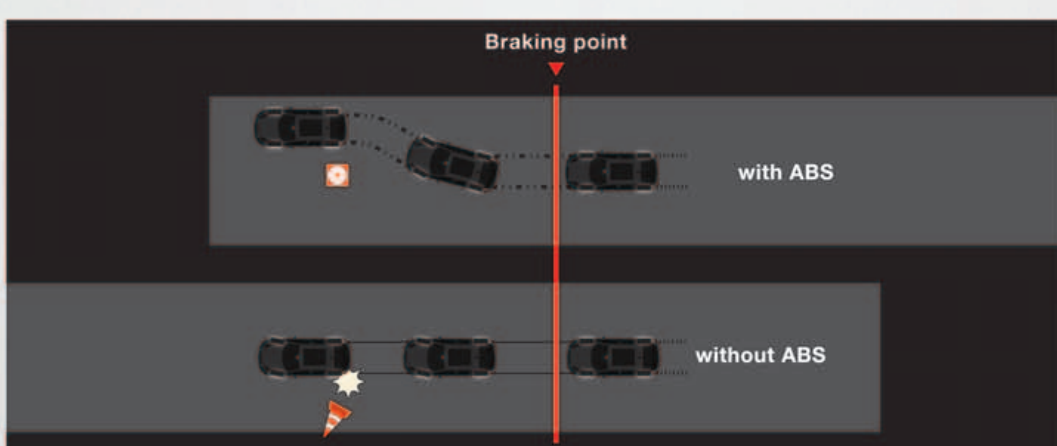
### PARKING SENSOR (FRONT & REAR) & INTELLIGENT CLEARANCE SONAR

When objects are in close proximity, sensors will alert the driver, while the car reduces engine power and brakes automatically.



### TOYOTA PREMIUM SECURITY & SOLAR FILM

Security meets comfort - prevent glass from break-ins easily, reflect harmful rays and keep the cabin cool.



### ANTI-LOCK BRAKING SYSTEM (ABS) WITH ELECTRONIC BRAKE-FORCE DISTRIBUTION (EBD)

Prevents tyres from locking during braking, for more stable stops especially on slippery road surfaces.



# 360-T ADVANCED

It's all about Trust & Technology by Toyota

## CONNECTIVI-T Technology at your command



### VEHICLE TELEMATICS SYSTEM (VTS)

An integrated system that monitors and shares your vehicle's real-time location through a mobile app.



### APPLE CARPLAY & ANDROID AUTO-READY CONNECTIVITY (AACP)\*

8-inch touchscreen display with reverse camera. USB, AUX, and Bluetooth compatible.

## GUARAN-T Total peace of mind



5 years warranty with unlimited mileage from date of the first registration. Terms and Conditions apply.

## COLOUR



WHITE PEARL  
CRYSTAL SHINE  
070



STEEL BLONDE METALLIC  
4X1



DARK BLUE METALLIC  
8X8



SLATE GREY METALLIC  
1K9



PRECIOUS BLACK  
219



# SPECIFICATIONS

VARIANT	2.0 LUXURY	
<b>ENGINE</b>		
Model	M20A-FKS	
Type	4-cylinder, In-line, 16-Valve DOHC; VVT-iE(Intake) & VVT-i(Exhaust)	
Displacement	cc	1,987
Max. Output	PS / rpm	173 / 6,600
Max. Torque	Nm / rpm	203 / 4,400-4,900
<b>TRANSMISSION</b>		
Type	Direct Shift Continuously Variable Transmission	
<b>CHASSIS</b>		
Suspension	Front / Rear	MacPherson Strut with Stabiliser / Trailing Wishbone with Stabiliser
Brakes	Front / Rear	Ventilated Disc / Solid Disc
Tyres & Rims	225/60R18, Alloy	
Spare Tyre	Temporary Tyre	
Steering	Electric Power Steering	
<b>MEASUREMENTS</b>		
Overall	Length / Width / Height (mm)	4,740 / 1,855 / 1,660
Wheelbase	(mm)	2,690
Tread	Front / Rear (mm)	1,605 / 1,625
Kerb Weight	(kg)	1,610
Min. Turning Radius	(m)	5.7
Fuel Capacity	(Litre)	55
<b>EXTERIOR FEATURES</b>		
Headlamps	Type	Automatic Bi-LED Projector with LED Turn Signals
Daytime Running Lights	With (LED)	
Fog Lamps	Front / Rear	With (LED) / With (LED)
Rear Combination Lamps	With (LED)	
Welcome Lights	With	
Wing Mirrors	Auto Retractable with Turn Signal Lamp & Puddle Lamp	
Panoramic Moon Roof	With (Fixed)	
Power Back Door	With (Kick Sensor)	
Wipers	Front / Rear	Automatic with Rain Sensor / Intermittent
Exhaust System	Dual Muffler	
<b>INTERIOR FEATURES</b>		
Audio System	Type	Display Audio with 8" Capacitive Touch Screen, Apple CarPlay & Android Auto-ready Connectivity*, Bluetooth®
	Speakers	6
Air Conditioning	Dual Zone, Automatic Climate Control with Rear Vents	
Nanoë™ X	With	
Meter Panel	Type	Optitron
	Multi-Information Display (MID)	7" Colour TFT
Seats	Material / Colour	Combination Leather / Black
	Front Seat	Driver
		12-way Power Adjustable with 2-position Memory
		Passenger
		4-way Power Adjustable
	Ventilated Seats	With
	Rear Seat	60:40 Split Fold & Recline
	Rear Armrest	With Cupholders
Smart Entry & Start System	With	
Heads up Display	With	
Wireless Charger	With	
USB Charging Ports	With (Front & Rear)	
Inside Rear View Mirror	Digital Mirror	
Steering Wheel	Power Adjustment	With (4-Way)
	Auto Tilt Away	With
	Material	Leather
	Steering Switches	With
Interior Lights	LED (Dome, Map, Glove Box, Footwell, Door Handle, Door Courtesy, Vanity & Scuff Plate)	
Tonneau Cover	With	
Digital Video Recorder (DVR)	With (Front & Rear)	

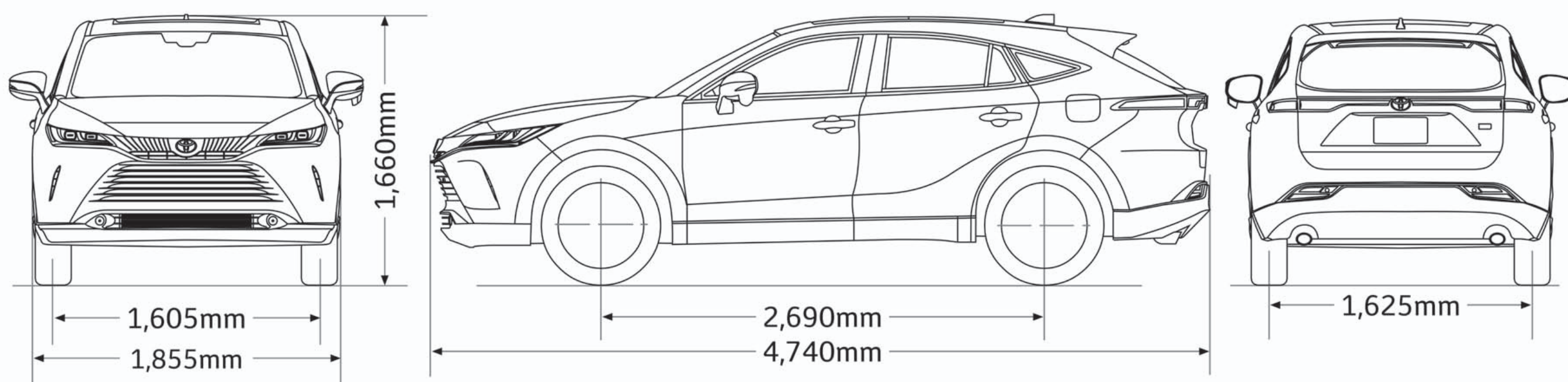


# SPECIFICATIONS

VARIANT	2.0 LUXURY	
<b>SAFETY</b>		
Toyota Safety Sense	Pre-Crash System (PCS)	With
	Lane Departure Alert (LDA)	With
	Lane Tracing Assist (LTA)	With
	Dynamic Radar Cruise Control (DRCC)	With (All Speeds)
	Adaptive High-beam System (AHS)	With
Vehicle Stability Control (VSC)	With Traction Control (TRC) & Hill-start Assist Control (HAC)	
Anti-lock Braking System (ABS)	With Electronic Brake-Force Distribution (EBD) & Brake Assist (BA)	
Emergency Stop Signal (ESS)	With	
Electric Parking Brake	With Automatic Brake Hold	
Intelligent Clearance Sonar (ICS)	With (Front and Rear)	
Blind Spot Monitor (BSM)	With Rear Cross Traffic Auto Brake (RCTAB)	
Tyre Pressure Monitoring System (TPMS)	With (With Individual Tyre Readout)	
SRS Airbags	7 (Driver, Front Passenger, Side, Curtain & Driver Knee)	
Seatbelts	Front	3-point ELR x 2 with Pretensioner & Force Limiter
	Rear	3-point ELR x 2 with Pretensioner & Force Limiter + 3-point ELR x 1
	Reminder	With (Front & Rear)
ISOFIX	With (Outboard Rear Seats)	
<b>SECURITY</b>		
Security System	2 Remote Control Keys, Immobiliser	
Vehicle Telematics System (VTS)	With	
Toyota Premium Security & Solar Film	With	

\*Functions availability may vary depending on smartphones. For details, please contact your nearest Toyota showroom.

# DIMENSIONS



5 years warranty from the date of first registration with unlimited mileage. Terms and Conditions apply.



For Your Auto-Financing Needs

- UMW Toyota Motor reserves the right to alter any details of specifications and equipment without notice.
- Details of specifications and equipment are also subject to change to suit local conditions and requirements.
- Vehicle and specifications in this catalogue may vary from models available locally.
- Vehicle body and accessory colours might differ from the printed photos in this catalogue.
- All images used are for illustrative purposes.